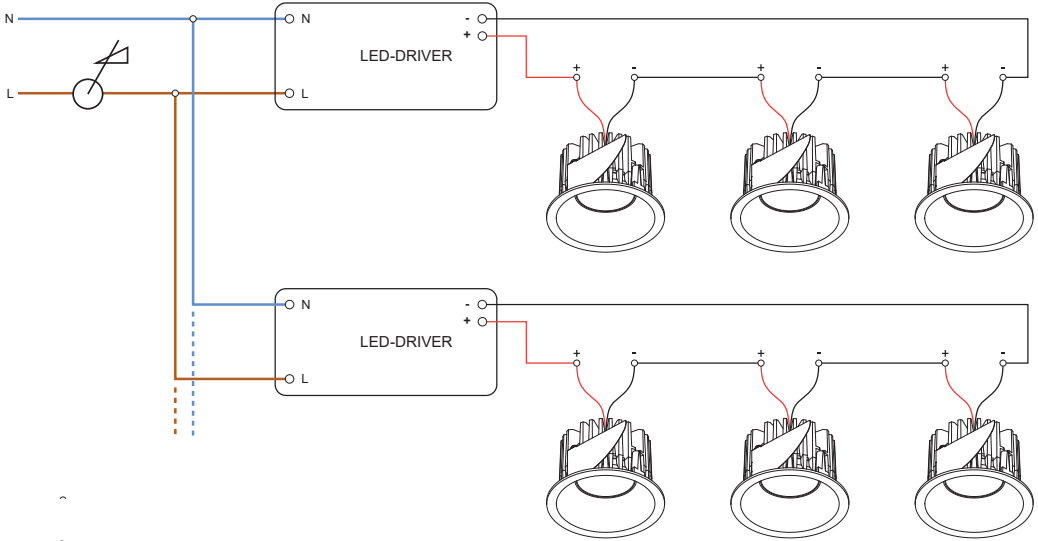


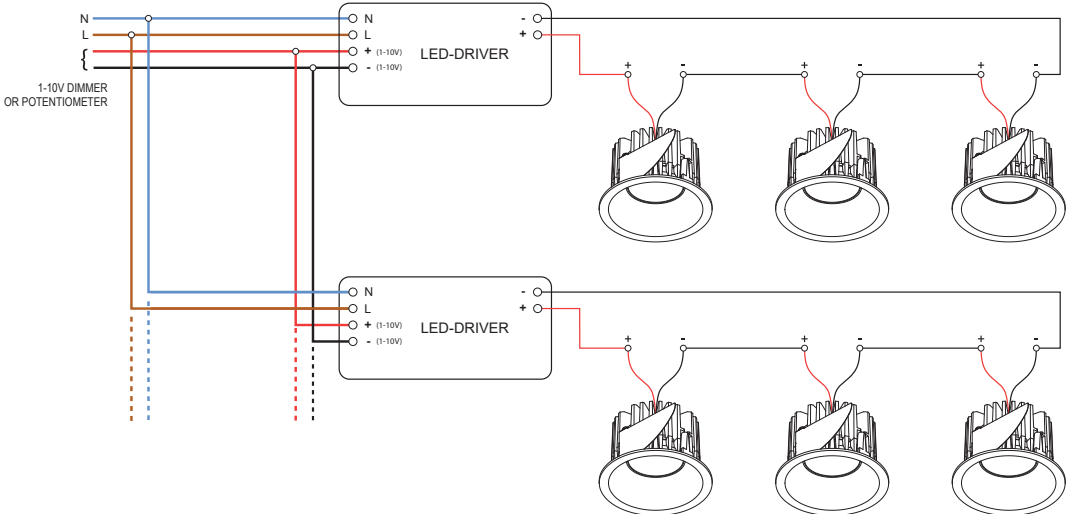
# Wiring diagrams

## MAINS



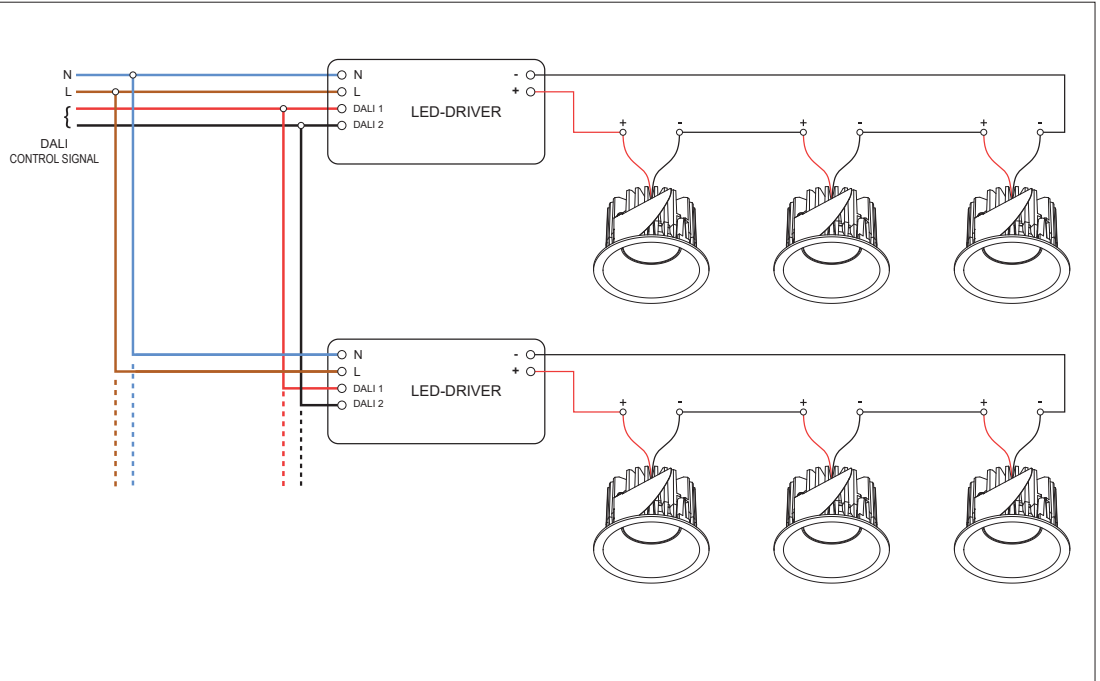
- CHECK DIMMER AND DRIVER COMPATIBILITY
- USE A TRAILING EDGE DIMMER FOR OPTIMAL DIMMING PERFORMANCE

## 1-10V

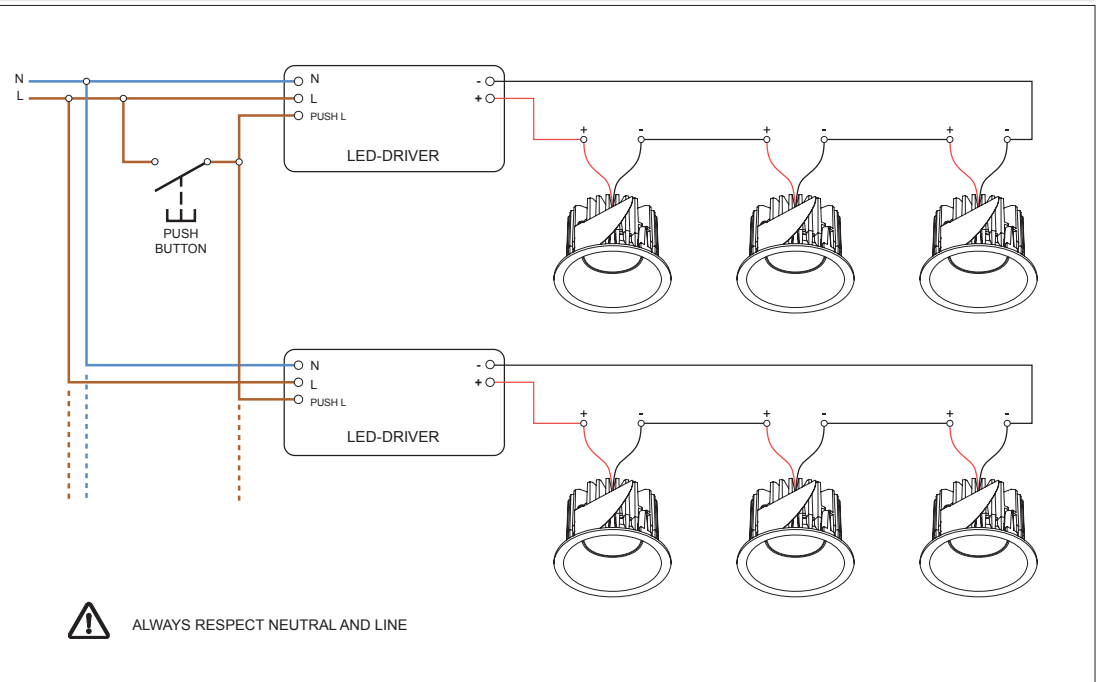


ALWAYS RESPECT POLARITY OF 1-10V SIGNAL

## DALI

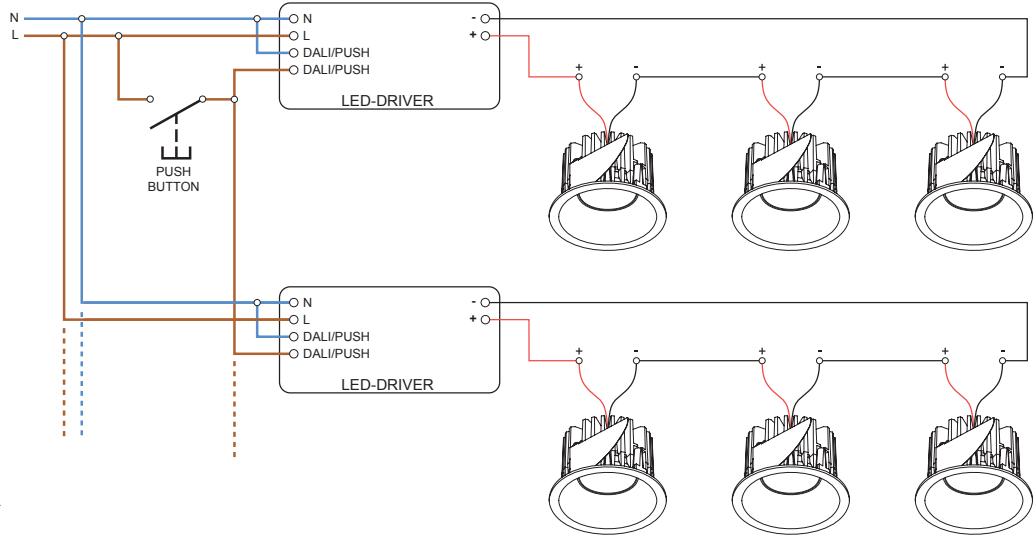


## PUSHDIM - SINGLE DIM CHANNEL



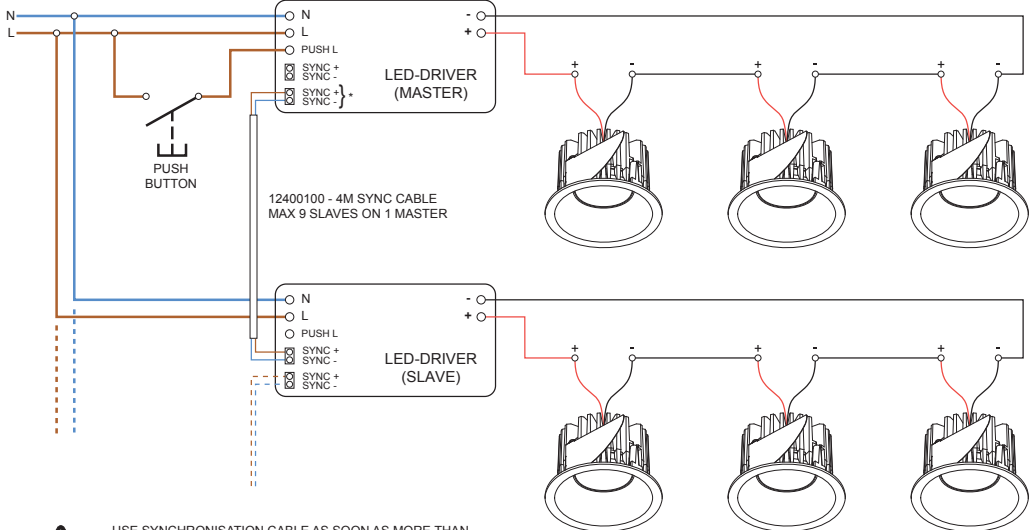
# Wiring diagrams

## PUSHDIM - DOUBLE DIM CHANNEL



ALWAYS RESPECT NEUTRAL AND LINE

## PUSHDIM - MASTER SLAVE WITH SYNCHRONISATION CABLE



- USE SYNCHRONISATION CABLE AS SOON AS MORE THAN 4 DRIVERS ARE USED ON ONE SWITCH
- ALWAYS RESPECT NEUTRAL AND LINE
- DO NOT CONNECT PUSH L ON SLAVE DRIVER(S)
- TOTAL PUSH DIM CABLE LENGTH MAX. 15 METER

\* ALWAYS USE SECOND SYNC CLAMP ON MASTER AS SHOWN ON DIAGRAM